

6.5X Zoom Lens Series

PMS-Z65C-C



1. Telecentric optical design. Magnification range: 0.7x-4.5x, magnification ratio is 6.5:1
2. Field of view: 2.444-15.714mm(based on 2/3"CCD)
3. Excellent performance, with high resolution, low distortion and super big N.A.
4. Compact design,easy assembly and installation.

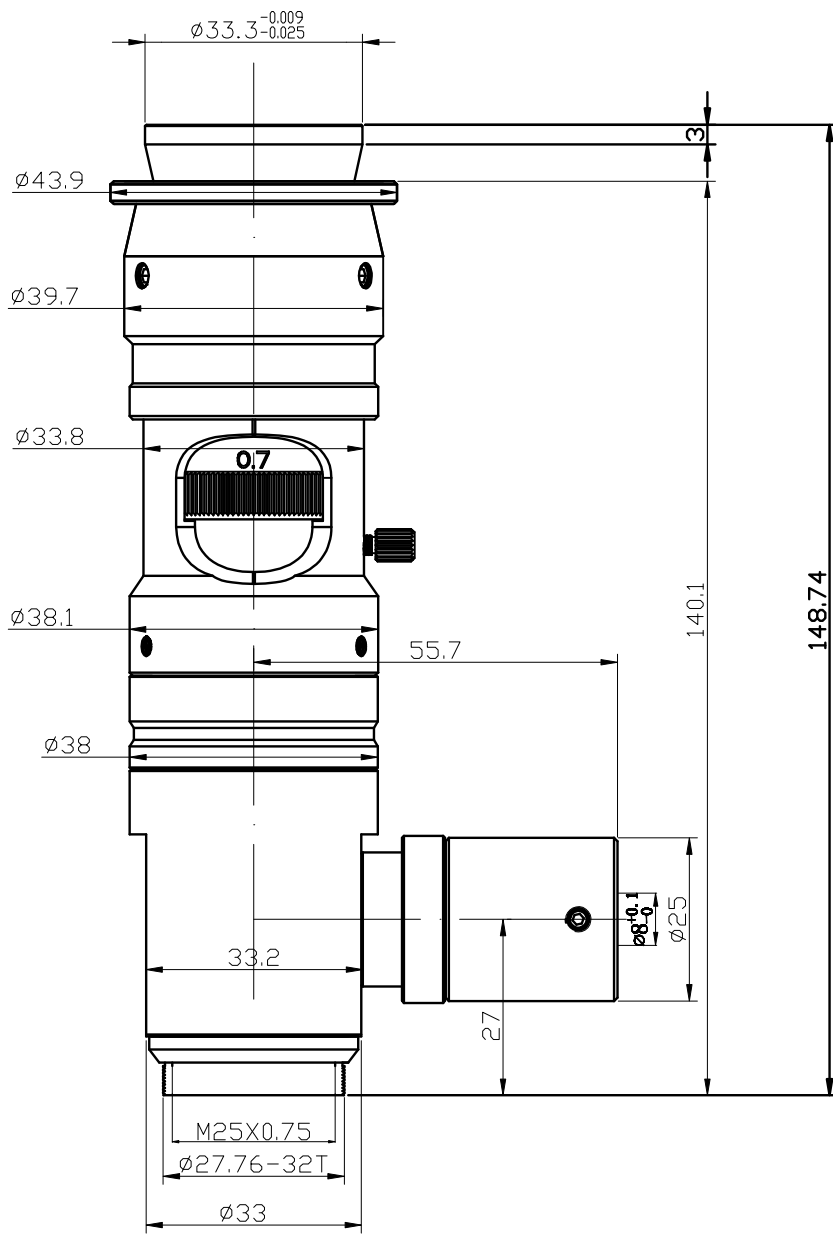
Function and Feature



■ Coaxial Illumination

- Infinity parallel incident light, with shadow-free and uniform illumination
- High contrast and vivid color image, for better image quality
- Applied for reflective surface observation: waters, polishing samples, deep holes, etc

Code		PMS-Z65C-C									
Type		Coaxial Illumination Zoom Lens									
Optical Magnification Range		0.7X~4.5X									
Working Distance		90 ± 2mm									
Optical Magnification		0.7X	1.0X	1.5X	2.0X	2.5X	3.0X	3.5X	4.0X	4.5X	
Depth of View (mm)		1.9	0.952	0.44	0.29	0.23	0.16	0.13	0.12	0.1	
N. A.		0.03	0.042	0.06	0.07	0.07	0.085	0.085	0.085	0.085	
F.No.		11.6	2.1	12.5	14.2	17.8	17.6	20.5	23.5	26.5	
Resolution (um)		11.18	7.99	5.59	4.79	4.79	3.95	3.95	3.95	3.95	
TV Distortion		0.019%	0.035%	0.002%	0.003%	0.004%	0.001%	0.001%	0.002%	0.002%	
Field of View (DxHxV) (mm)		2/3"	15.71×12.57×9.43	11.00×8.80×6.60	7.33×5.87×4.40	5.50×4.40×3.30	4.40×3.52×2.64	3.67×2.93×2.20	3.14×2.51×1.89	2.75×2.20×1.65	2.44×1.96×1.47
		1/2"	11.43×9.14×6.86	8.00×6.40×4.80	5.33×4.27×3.20	4.00×3.20×2.40	3.20×2.56×1.92	2.67×2.13×1.60	2.29×1.83×1.37	2.00×1.60×1.20	1.78×1.42×1.07
		1/3"	8.57×6.86×5.14	6.00×4.80×3.60	4.00×3.20×2.40	3.00×2.40×1.80	2.40×1.92×1.44	2.00×1.60×1.20	1.71×1.37×1.03	1.50×1.20×0.90	1.33×1.07×0.80
Max. Sensor Size		2/3"									
Mount		C-Mount									
Zoom Control		Manual Zoom									
Focus Control		--									



Unit: mm	Scale	1:1
	Name	PMS-Z65C-C
inch 1.0	Date	2012.7.20
mm 25.0	POMEAS	