

8.0X Zoom Lens Series

PMS-Z80M



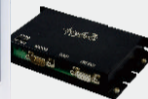
1. Telecentric optical design. Magnification range: 0.6x-5.0x, magnification ratio is 8.0:1
2. Field of view: 2.20-18.33mm(based on 2/3"CCD)
3. Excellent performance, with high resolution, low distortion and super big N.A.
4. Compact design,easy to assembly and installation.

Function and Feature



Motorized Zoom

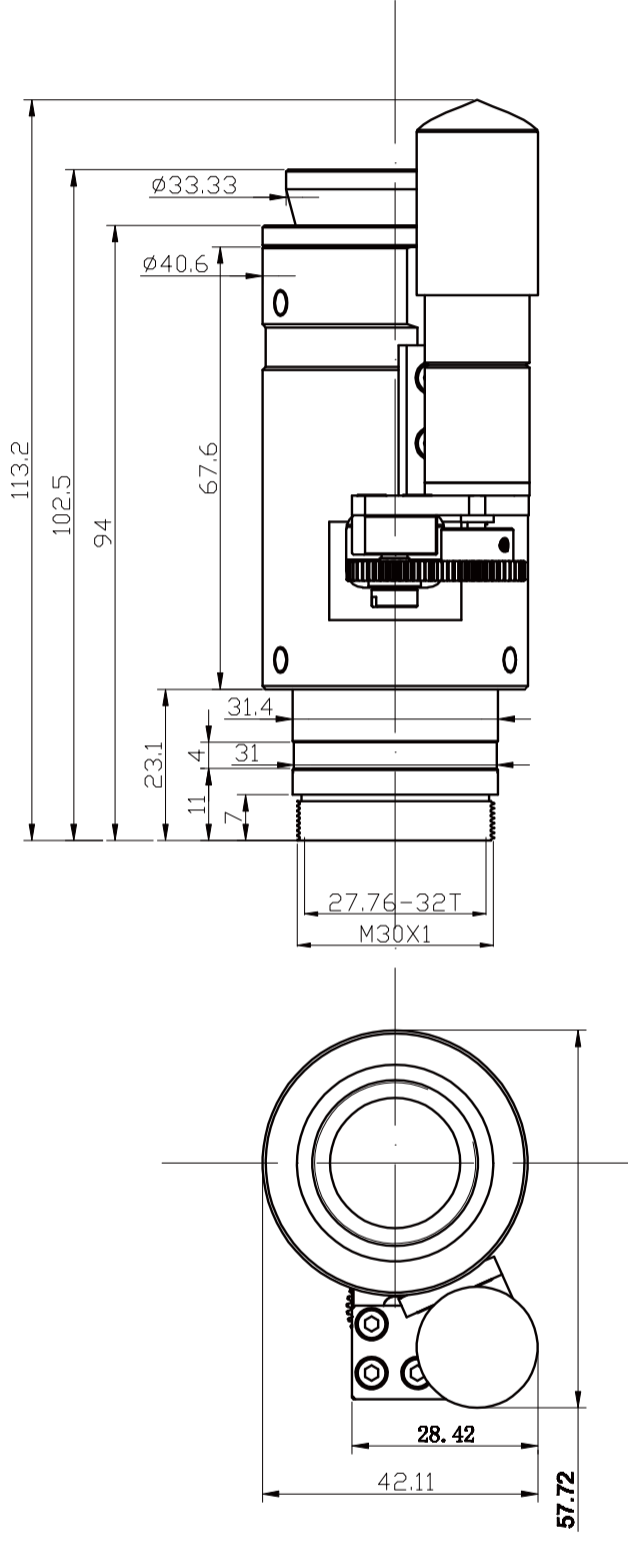
- High speed in zoom and focus and high accuracy in repetitive positioning
- Imported DC servo motor, closed-loop control
- Stable quality even in the strong vibration environment



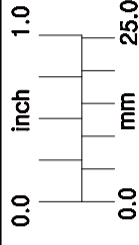
Motorized Controller

- The integrated motorized control systems are available for all the POMEAS zoom lenses.
- Motorized controlling system can control single or dual channels via RS232 or USB;
- Underlying sourcing code will be provided.

Code		PMS-Z80M									
Type		Motorized Zoom Lens									
Optical Magnification Range		0.6X~5.0X									
Working Distance		84 ± 2mm									
Optical Magnification		0.6X	1.0X	1.5X	2.0X	2.5X	3.0X	3.5X	4.0X	4.5X	5.0X
Depth of Field(mm)		2.67	0.95	0.43	0.27	0.2	0.15	0.12	0.1	0.081	0.073
N.A.		0.025	0.043	0.063	0.074	0.082	0.09	0.097	0.1	0.11	0.11
F.No		12.5	11.85	11.95	13.65	15.3	16.5	18.4	19.9	20.4	22.45
Resolution(um)		13	7.8	5.3	4.53	4.09	3.73	3.46	3.36	3.05	3.05
TV Distortion		0.050%	0.002%	0.010%	0.020%	0.003%	0.020%	0.020%	0.018%	0.020%	0.010%
Field of View (mm)	Diagonal	18.33	11.00	7.33	5.50	4.40	3.67	3.14	2.75	2.44	2.20
	Horizontal	14.67	8.80	5.87	4.40	3.52	2.93	2.51	2.20	1.96	1.76
	vertical	11.00	6.60	4.40	3.30	2.64	2.20	1.89	1.65	1.47	1.32
Max. Sensor Size		2/3"									
Mount		C-Mount									
Zoom Control		Motorized I Zoom									
Focus Control		--									



单位: mm



比例 1:1

名称 PMS-Z80M

日期 2012.2.21

POMEAS