

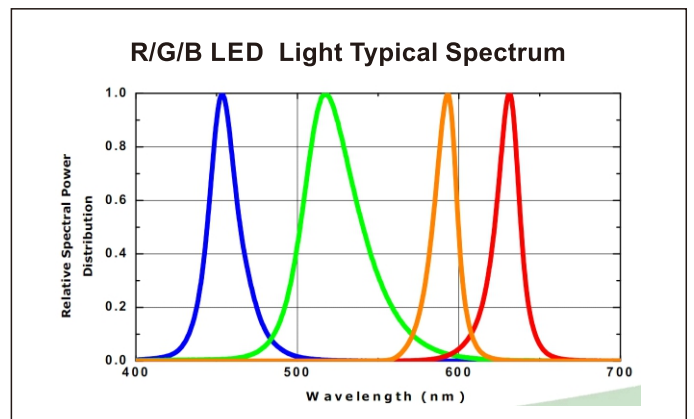
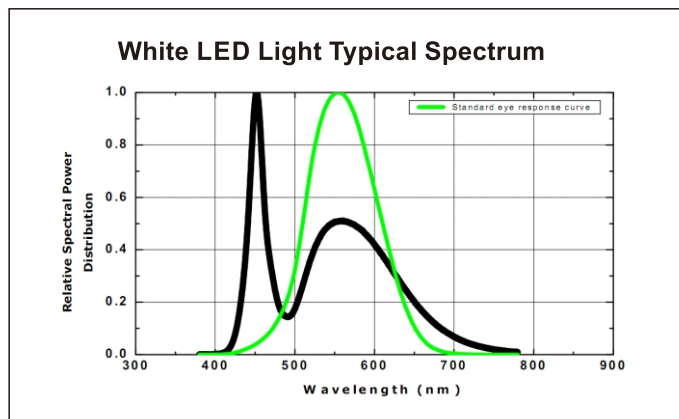
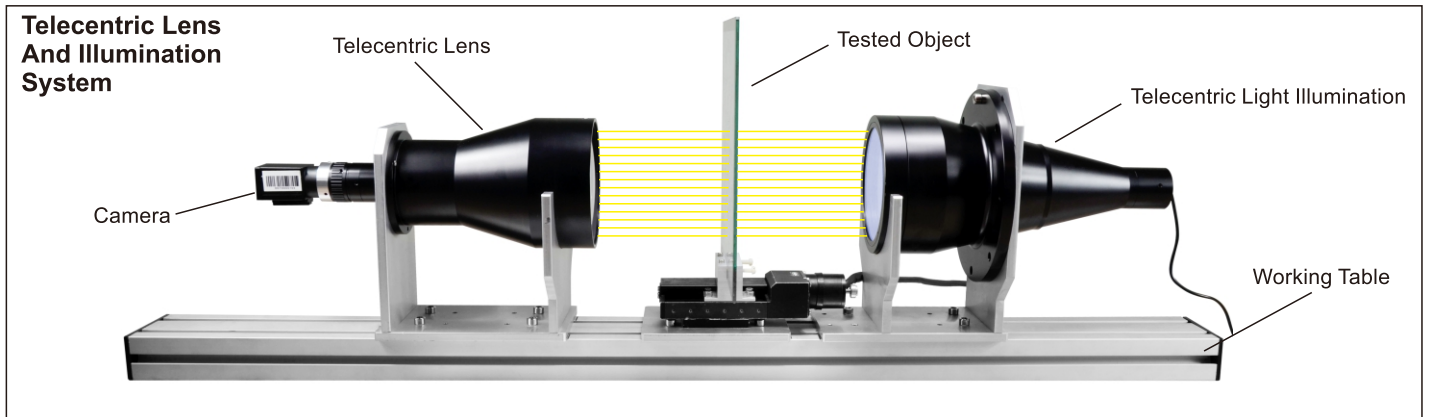
## Telecentric Parallel Illumination Series

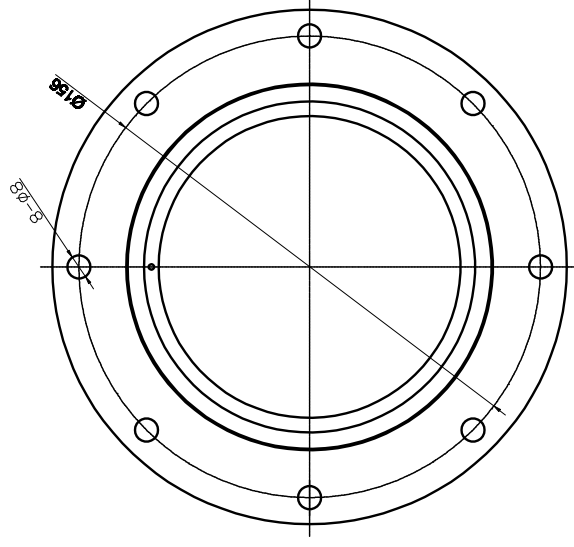
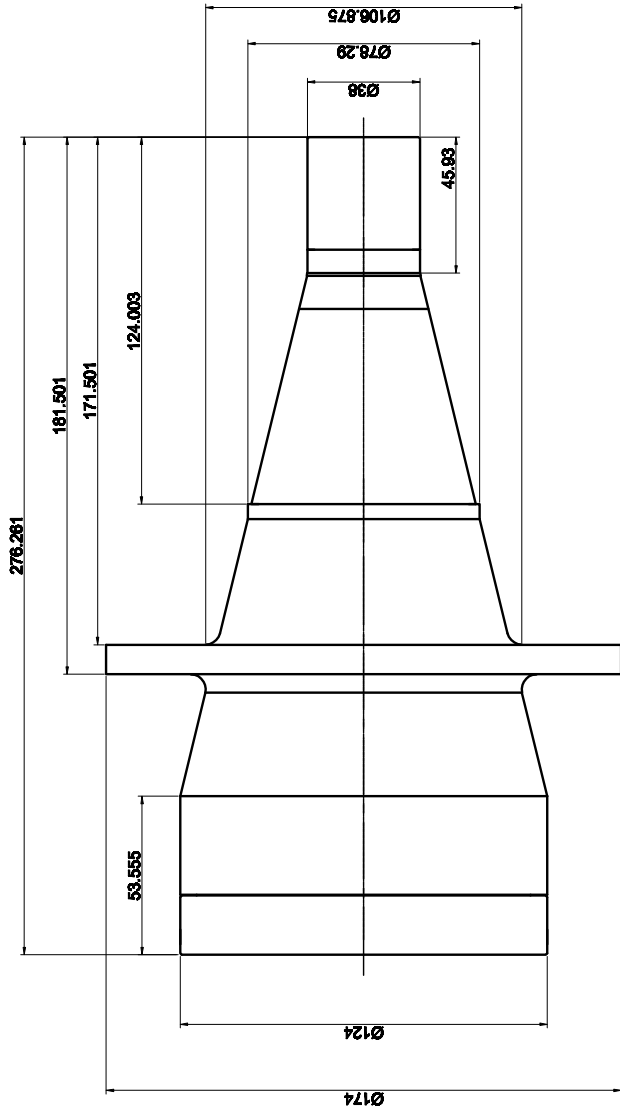
### PMS-LTD100


1. Telecentric parallel LED illumination is specially designed for telecentric lens
2. Enhance contrast ration of object's edge in the inspection system
3. Utmost to accomplish a nature deep of field and telecentricity of telecentric lens.



<b>Code</b>		PMS-LTD100
<b>Beam Diameter</b>		100mm
<b>Dimension Size</b>	<b>Outer Diameter</b>	124mm
	<b>Length</b>	276mm
<b>Optional Color</b>		Red/green/blue/white
<b>Forward Voltage</b>		3.5V
<b>Forward Current</b>		350mA





Unit : mm	Scale	1:2
	Name	PMS-LTD100
0.0 inch 1.0	Date	2012.7.20
0.0 mm 25.0	<b>POMEAS</b>	